



CNP PUMPS INDIA PVT. LTD.

SWB

Stainless Steel Horizontal Single-stage centrifugal Pump



STAINLESS STEEL PUMPS SPECIALIST

SCOPE OF APPLICATION

Applied to pumping liquids which are clean without any solid or frictional matter, low viscous, noncorrosive, noncrystallizable, chemically neutral and close to water. Such as

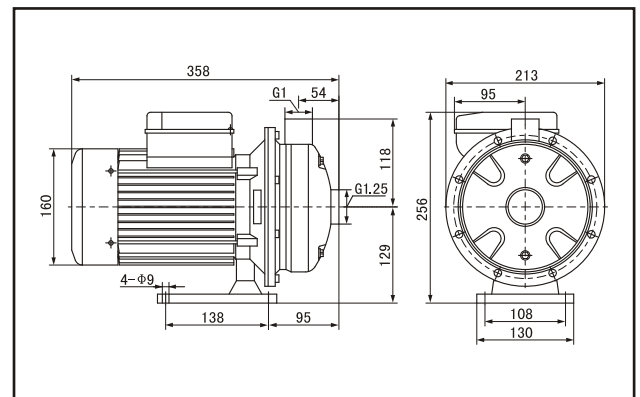
- | Domestic water supply
- | Irrigation
- | Water transfer
- | Washing systems
- | Pressure boosting

FEATURES

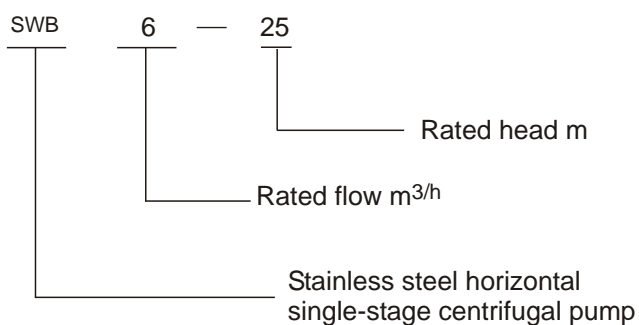
- | Made of high quality non corrosive materials, compact size, robust structure.
- | TEFC motor corrosion resistant and excludes dust and dirt. Protected against both high operating temperature and high current by a built-in automatically resetting thermal overload.
- | Coaxial complete machine and floating neckring structure increased mechanical efficiency and volume tricefficiency
- | Used screwed suction and discharge, quick and easy installation.
- | Low maintenance, easy to service if required.



Outline and installation dimension (equipped with single-phase motor)



DEFINITION OF MODEL



Outline and installation dimension (equipped with three-phase motor)

