



CNP PUMPS INDIA PVT. LTD.

JET

Stainless Steel Self-priming centrifugal Pump



STAINLESS STEEL PUMPS SPECIALIST

SCOPE OF APPLICATION

Applied to pumping liquids which are clean without any solid matter or frictional matter, low viscous, noncorrosive, noncrystallizable, chemically neutral and close to water. Such as

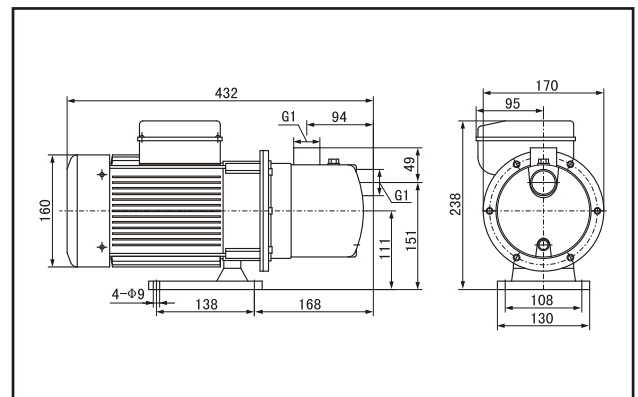
- | Tank filling
- | Domestic water supply
- | Water transfer
- | Pressure boosting



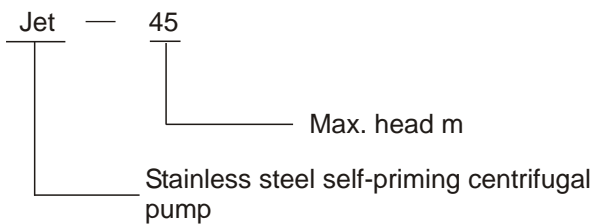
FEATURES

- | Self-priming jet assisted centrifugal pump provides higher pressure and good suction ability.
- | Pump body and impeller and so on made of stainless steel, ejector made of high intensity and abrasion proof plastic.
- | TEFC motor corrosion resistant and excludes dust and dirt. Protected against both high operating temperature and high current by a built-in automatically resetting thermal overload.
- | Used screwed suction and discharge, quick and easy installation.
- | Low maintenance, easy to service if required.

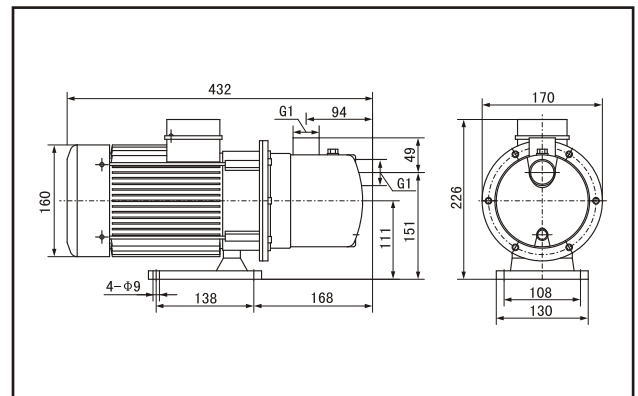
Outline and installation dimension (equipped with single-phase motor)



DEFINITION OF MODEL

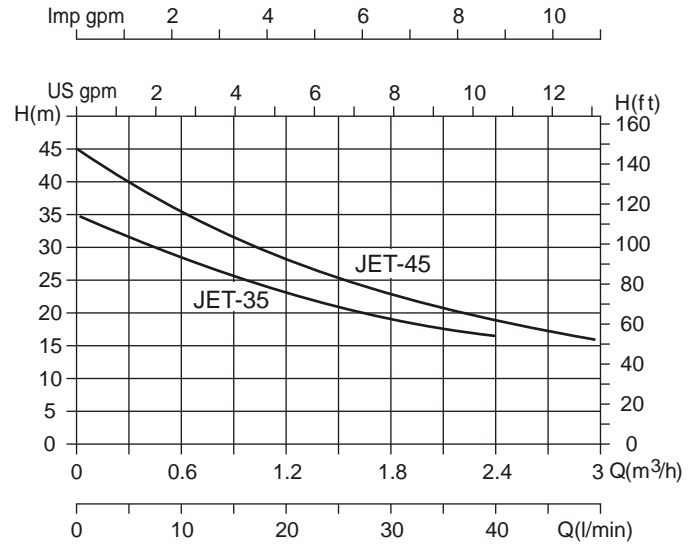


Outline and installation dimension (equipped with three-phase motor)



TECHNICAL DATA

	JET-45	JET-35
Max. suction head	7 m	
Max. liquid temperature	+45°C	
Max. ambient temperature	+40°C	
Max. pump casing pressure	0.6 MPa	
Inlet size	G1	
Outlet size	G1	

PERFORMANCE CURVE

MATERIAL TABLE

Parts	Casing	Impeller	Shaft	Rotating	Stationary	Venturi	O-Ring	Motor house
Materials	304 SS	304 SS	304 SS	Ceramic	Carbon	PP+GF	NBR	Aluminum alloy

ELECTRICAL DATA TABLE

Model	Power	Voltage / Current			Frequency	Speed	Protection Class
		Single-phase	Three-phase				
Jet-45	0.55kw	220V/3.65A	220V/2.22A	380V/1.28A	50Hz	2900r/min	IP55
Jet-35							

PERFORMANCE TABLE

Model	Driving Motor	Q(m³/h)	0	0.6	1.2	1.5	1.8	2.4	3.0
JET-45	0.55	H(m)	45	35	28	25	23	19	15
JET-35	0.55		35	28	23	20	19	16	



CNP PUMPS INDIA PVT. LTD.

plot No - B-5, TJSB House, 502,
Sambhav IT Park, Behind Aplab Company,
Wagle Indi Estate, MIDC,
Thane - 400 604, India.
Tel : + 91 - 22 - 2581 8400 [100 lines]
E-Mail : sales@cnpindia.com

www.nanfangpumps.com